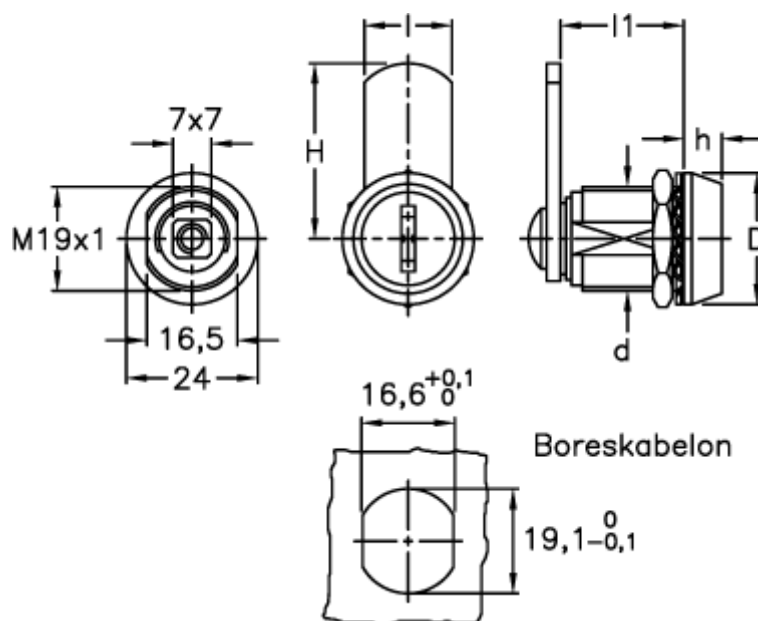


Article number: 2310421613

Description: E+G Latch w/safety lock
CXU/A-32

Measures



d = M19x1

D = 24

H = 32.0

h = 7

l = 16

l1 = 22.5